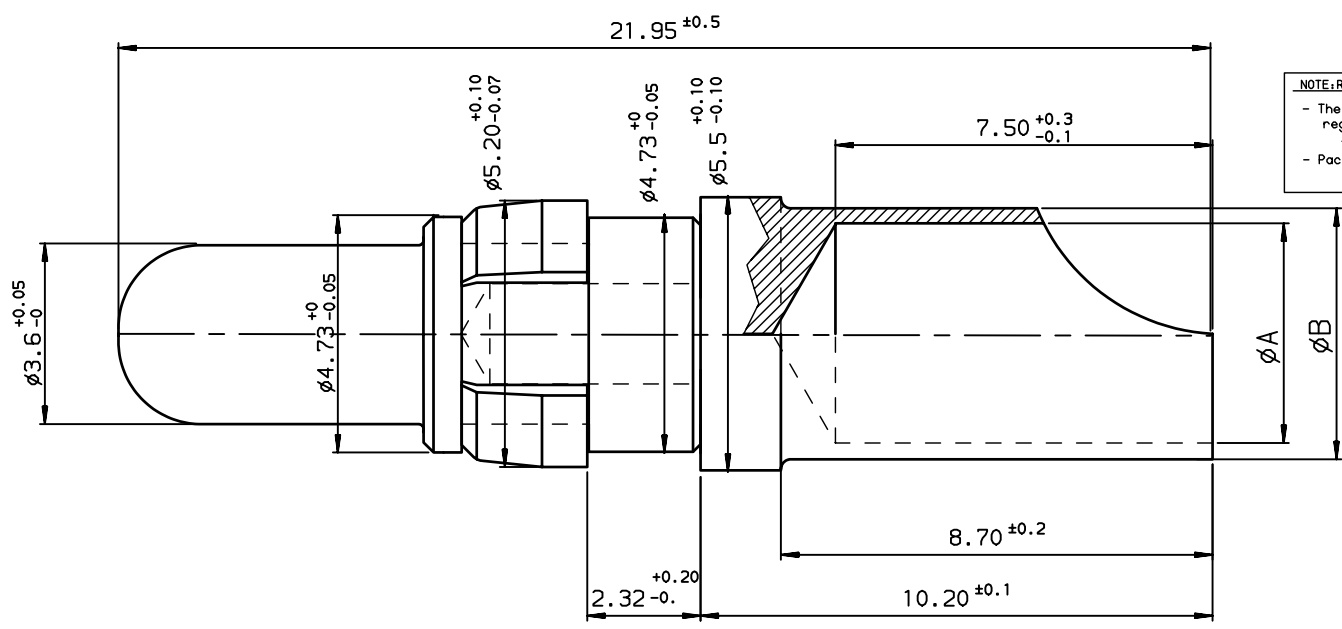


1		2			3		4				
> 500 matings / unmatings	> 500 matings / unmatings	> 200 matings / unmatings	> 500 matings / unmatings	> 500 matings / unmatings	> 200 matings / unmatings						
8638PPS4007	8638PPS4006	--	8638PPS4007LF	8638PPS4006LF	--	40	8	Section 8.98 mm ² Ø Ame 3.90 mm	4.40	5.50	blue
8638PPS2007	8638PPS2006	--	8638PPS2007LF	8638PPS2006LF	--	20	12	Section 3.18 mm ² Ø Ame 2.40 mm	2.80	3.65	red
8638PPS1507	8638PPS1506	8638PPS1505	8638PPS1507LF	8638PPS1506LF	8638PPS1505LF	15	14	Section 1.91 mm ² Ø Ame 1.70 mm	2.10	3.00	white
8638PPS1007	8638PPS1006	--	8638PPS1007LF	8638PPS1006LF	--	10	16	Section 1.34 mm ² Ø Ame 1.50 mm	1.70	2.60	black
TIN LEAD PART NUMBER	TIN LEAD PART NUMBER	TIN LEAD PART NUMBER	LEAD FREE PART NUMBER	LEAD FREE PART NUMBER	LEAD FREE PART NUMBER	CURRENT max A	AWG	mm ²	ØA ^{+0.10} -0	ØB ^{+0.10}	COLOUR CLIP
							WIRE AREA				



NOTE: RoHS INFORMATIONS

- The "LF" products meet European union Directives and other country regulations as described in 65-22-008.
- Termination plating spec: Cu 2 +0 +2 µm, Sn 3 +0 +3µm (pure matte)
- Packaging spec: see 65-14-920 contact: CuZn40 Pb3 1µNi+gold

Materials and finish for TIN LEAD

contact: brass
 Solder buckets: brass Cu 2 0+2 + SnPb 3+3µm
 Clip : plastic
Technical characteristics
 Peak voltage: 750Veff.
 Operating voltage: 500Veff.
 Temperature range: -55°C ÷ 125°C
 Packaging per 100
 Current capability see table

Mechanical characteristics:

Contact insertion force in insulator:
 60N maxi in a hole of 4.80mm

Examination of product:

Remove all burns and sharp edges 0.08 maxi
 No scratch on all pieces

European Views

www.fciconnect.com			surface ISO 1302 ✓	tolerance std ISO 406 ISO 1101	projection mm
TOLERANCES UNLESS OTHERWISE SPECIFIED					
Dr	JARRY	1994/12/13	ANGULAR	0.X ±0.1	size A3
Eng	JARRY	1994/12/13	LINEAR	0.XX ±0.1	Scale 10:1
Chr	LEGARE	1994/12/13	0.XX' ±2'	0.XXX ±0.1	ECN LS08-0029
Appr	LEGARE	1994/12/13	Product family	D-SUB	Spec ref -
title MALE POWER CONTACT			dwg no C01-8638-0349		Rev. D
FOR SOLDER CONNECTION			catalog no	CUSTOMER	sheet 1 of 1

rev	ecn no	dr	date
B	LS05-005	LMA	2005/02/09
C	LS06-0097	LGO	2006/07/27
D	LS08-0029	MPE	2008/01/28
-	-	-	-
-	-	-	-
-	-	-	-

Copyright FCI. FCJ